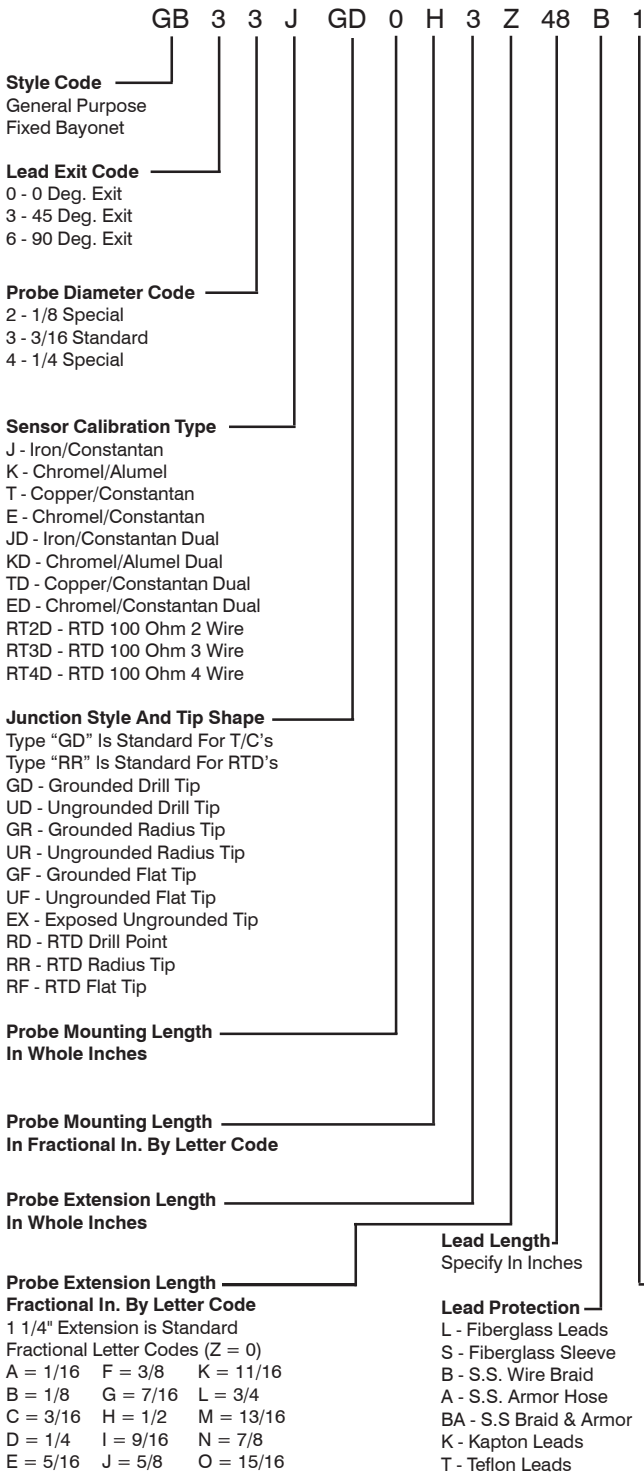


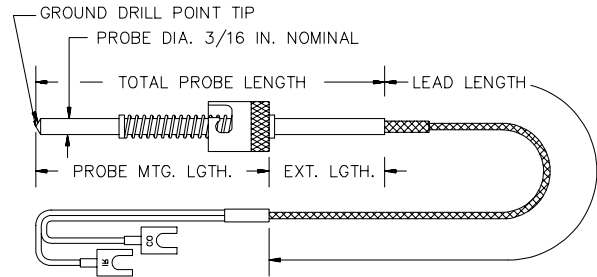
**Style "GB" Fixed Bayonet Sensors**

The fixed bayonet sensor configuration provides a positive visual reference as to junction location within the drilled well. Customer specified variations in lead exit angle and extension length permits ideal positioning of the leads in relation to surfaces and obstructions.

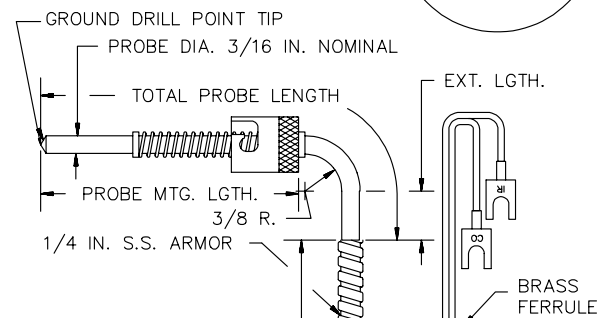
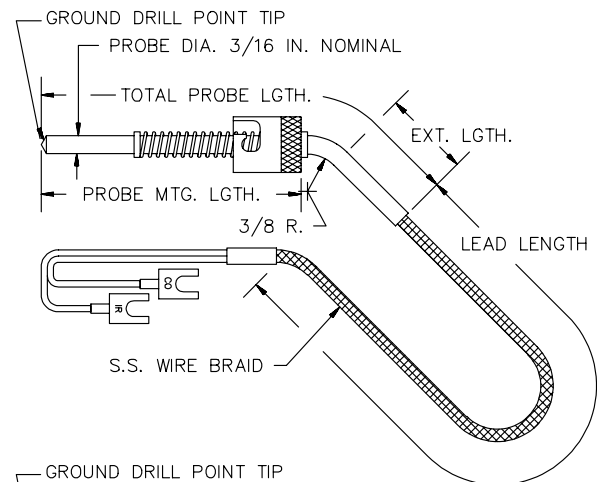
**Style "GB" Sensor Product Number Definition**



**Style "GB" With Type "0" 0 Deg. Lead Exit  
 Type "L" Fiberglass Leads Shown**



**Style "GB" With Type "3" 45 Deg. Lead Exit  
 Type "B" Wire Braid Protected Leads Shown**



**Style "GB" With Type "6"  
 90 Deg. Lead Exit  
 Type "A" Armor  
 Protected Leads Shown**

**Sensor Lead Termination**

- 0 - 3" Split And Stripped
- 1 - 3" Split With Spade Lugs
- 2 - 3" Split With Spade Lugs & BX Connector
- 3 - Standard Male Plug & Bracket
- 3A - Solid Pin Plug & Bracket
- 4 - Standard Female Jack & Bracket
- 5 - Standard Plug & Jack With Bracket
- 6 - Miniature Plug & Bracket
- 7 - Miniature Jack & Bracket
- 8 - Miniature Plug & Jack With Bracket
- 9 - 1/4" Female Push On
- 10 - 3/16" Female Push On